

EVT SERIES EX-PROOF TANK TRACKING FIXTURES

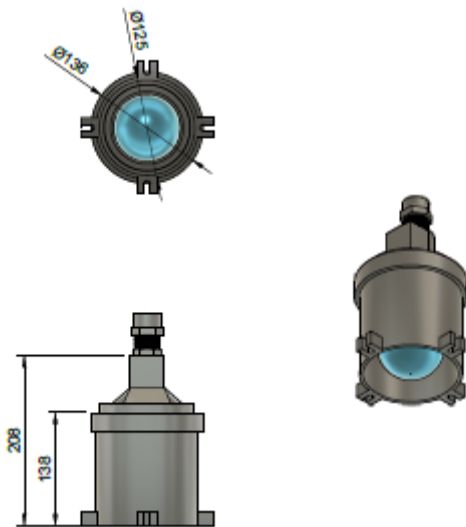
EVP SERİSİ EX-PROOF PORTABLE LIGHTING FIXTURES

ATEX CERTIFICATE: INSEMEX-OEC.ATEX.18.0325X

CE  II 2 G Ex db II C T5/T4/T3 Gb

CE  II 2 D Ex tb III C T100°C/T135°C/T200°C Db

## EVT-1



### APPLICATIONS

EVT SERIES ex-proof tank tracking fixtures, Zone-1, Zone-21, Zone-2 and Zone-22 suitable for use in ex-proof environments. It is suitable to be attached

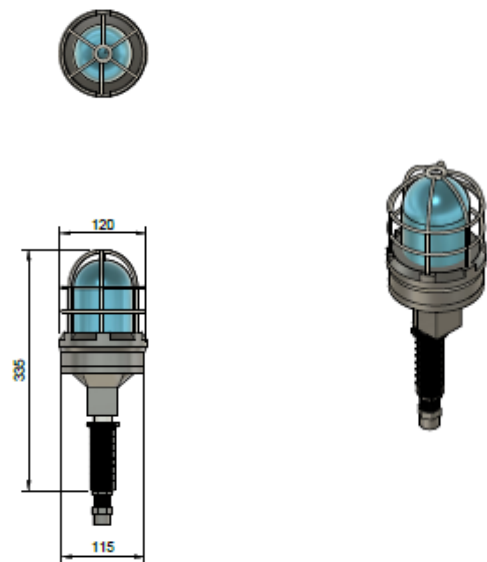
### MATERIAL

Body; aluminum casting (ETIAL 171)  
Glass; Heat treated borosilicate glass  
Colour: RAL 7040(grey)

### MECHANICAL PROTECTION TYPE

IP 66

## EVP-1100



### APPLICATIONS

EVP SERIES ex-proof portable lighting fixtures. It is suitable to be used together with the extension in the ex-proof field. The underside is covered with a special plastic material for comfortable hand holding.

, Zone-1, Zone-21, Zone-2 and Zone-22 suitable for use in ex-proof environments. It is suitable for use with an extension cable in the ex-proof field. The underside is covered with a special plastic.

### TECHNICAL SPECIFICATIONS

Energy with input :24V-220 V AC/DC  
2x3/4" with hole  
E27 or E40 bulb holder